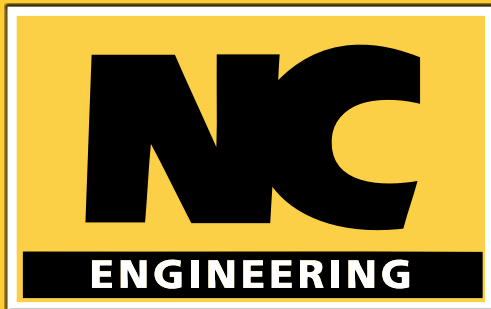
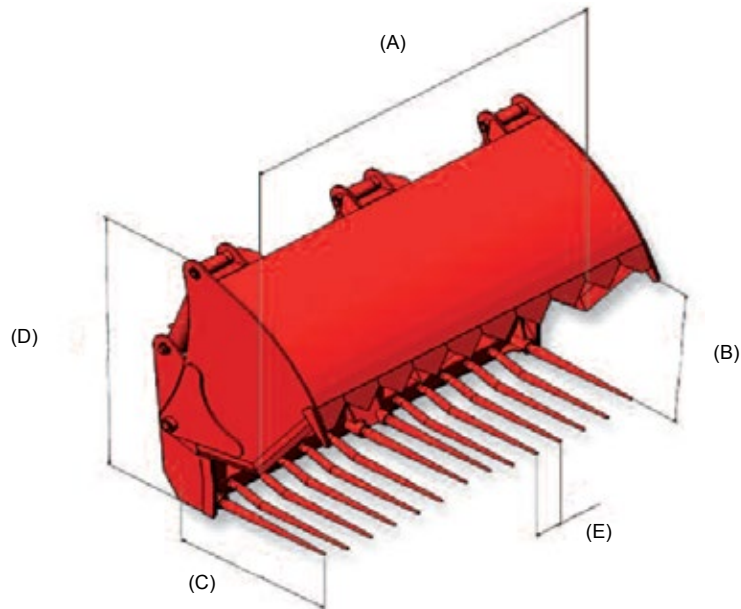


Shear Grab



- Sizes 1.3m - 2.3m
- Nickel Chrome hydraulic rams
- High strength steel
- Hardened steel blades welded
- Wide opening for a large block size
- Quality European Tines





Model	Cutting Width (A)	Max Block Height (B)	Tine Length (C)	Max Overall Height (D)	Number of Tines	Tines Spacing	Number of Rams	Rams Size	Centre Blade	Capacity	Weight (kgs) (excluding brackets)
1.3m	1399mm (4'3")	800mm	820mm	1430mm	10	132mm	2	90mm Bore	NA	0.83m ³	530
1.5m	1500mm (4'11")	800mm	820mm	1430mm	11	140mm	2	90mm Bore	NA	0.96m ³	565
1.7m	1700mm (5'7")	800mm	820mm	1430mm	13	132mm	2	100mm Bore	NA	1.10m ³	640
1.9m	1900mm (6'3")	800mm	820mm	1430mm	14	138mm	2	100mm Bore	NA	1.23m ³	680
1.9m	1900mm (6'3")	800mm	820mm	1430mm	14	138mm	3	90mm Bore	Standard	1.20m ³	810
1.9m	1900mm (6'3")	800mm	820mm	1430mm	16	119mm	3	90mm Bore	Standard	1.20m ³	820
2.1m	2100mm (6'10")	800mm	820mm	1430mm	16	132mm	3	90mm Bore	Standard	1.33m ³	835
2.3m	2300mm (7'6")	800mm	820mm	1430mm	18	130mm	3	100mm Bore	Standard	1.47m ³	900

Optional Extras

Heavy Duty Tines

Shear Grab Push Off

Various Telehandler mounting brackets available

Various Tractor Front Loader brackets available

Various Skid Steer brackets available

Revision. 2.0 April 2019

In accordance with our policy of continued development we reserve the right to alter specification and design without notice.



NC Engineering (Hamiltonsbawn) Ltd
2 Killyrudden Road
Hamiltonsbawn
Co.Armagh
Northern Ireland
BT61 9SF

Tel: 028 38 871970
Fax: 028 38 870362
Sales@nc-engineering.com
www.nc-engineering.com

