



POWER ARM

67 SERIES

PA5567 - 5.5m (18'1") reach

PA6067 - 6.0m (19'8") reach

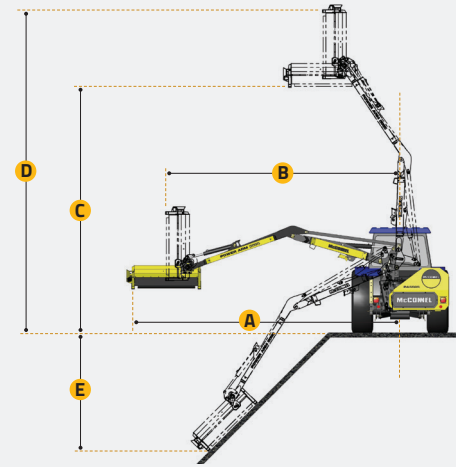
PA6567T - 6.5m (21'4") reach

PA7067T - 7.0m (23'0") reach

67 SERIES

Advanced Controls	PA5567	PA6067	PA6567T	PA7067T
Cable Control	—	—	—	—
Motion Mini	—	—	—	—
Motion	<input type="checkbox"/>	<input type="checkbox"/>	<input type="checkbox"/>	<input type="checkbox"/>
Evolution	<input type="checkbox"/>	<input type="checkbox"/>	<input type="checkbox"/>	<input type="checkbox"/>
Revolution Including Easy Drive System (EDS)	<input type="checkbox"/>	<input type="checkbox"/>	<input type="checkbox"/>	<input type="checkbox"/>
Two-way Rotor Engagement - Cable Control (CRC)	—	—	—	—
Two-way Rotor Engagement - Electric Control (ERC)*	■	■	■	■
Mounting				
Front 3-Point Mounting Including Stabiliser	—	—	—	—
Front DIN Plate Mounting	—	—	—	—
Rear 3-Point Mounting Including Stabiliser	■	■	■	■
Rear 3-Point to 4-Point Hitch Stabiliser Kit	<input type="checkbox"/>	<input type="checkbox"/>	<input type="checkbox"/>	<input type="checkbox"/>
Rear 3-Point to 5-Point Axle Mounting Kit**	<input type="checkbox"/>	<input type="checkbox"/>	<input type="checkbox"/>	<input type="checkbox"/>
Rear 5-Point Rigid Frame, Axle Mounting Kit**	—	—	—	—
Armsets				
Straight Armset	<input type="checkbox"/>	<input type="checkbox"/>	—	—
Midcut Armset	—	—	—	—
Telescopic Armset	—	—	■	■
Variable Forward Reach Armset (VFR)	<input type="checkbox"/>	<input type="checkbox"/>	—	—
Telescopic-Variable Forward Reach Armset (T-VFR)	—	—	—	—
Parallel Arm Geometry	■	■	■	■
Hydraulics				
Horsepower	70hp	70hp	70hp	70hp
System Type	Gear	Gear	Gear	Gear
Pump Type	Cast	Cast	Cast	Cast
Total Flow Rate l/min	153.3	153.3	153.3	153.3
Arm Circuit Flow Rate l/min	25.0	25.0	25.0	25.0
Attachment Circuit Flow Rate l/min	128.0	128.0	128.0	128.0
Oil Tank Capacity	180ltrs	180ltrs	180ltrs	180ltrs
Oil Cooler	■	■	■	■
Totally Independent Hydraulic System	■	■	■	■
Hydraulic Upgrades				
Angle Float Kit	<input type="checkbox"/>	<input type="checkbox"/>	<input type="checkbox"/>	<input type="checkbox"/>
Lift Float Kit	<input type="checkbox"/>	<input type="checkbox"/>	<input type="checkbox"/>	<input type="checkbox"/>
Advanced Float Kit (only on EVOLUTION controls)	<input type="checkbox"/>	<input type="checkbox"/>	<input type="checkbox"/>	<input type="checkbox"/>
EDS (only on REVOLUTION controls)	<input type="checkbox"/>	<input type="checkbox"/>	<input type="checkbox"/>	<input type="checkbox"/>
PowerBoost (75 l/min Arm Circuit Flow Rate)	—	—	—	—
Additional Hydraulic Services	<input type="checkbox"/>	<input type="checkbox"/>	<input type="checkbox"/>	<input type="checkbox"/>
Safety Equipment				
External Debris Blower	<input type="checkbox"/>	<input type="checkbox"/>	<input type="checkbox"/>	<input type="checkbox"/>
Integrated Debris Blower	—	—	—	—
Road Lighting Kit	■	■	■	■
Warning Arrow Kit	<input type="checkbox"/>	<input type="checkbox"/>	<input type="checkbox"/>	<input type="checkbox"/>
Window Guards	■	■	■	■
Cab Protection Kit	<input type="checkbox"/>	<input type="checkbox"/>	<input type="checkbox"/>	<input type="checkbox"/>
Safety Breakaway	■	■	■	■
Power Slew	■	■	■	■
Cushioned Top Link	■	■	■	■
Tractor Requirements				
Minimum Tractor Weight	4,000kg	4,000kg	4,500kg	5,000kg
Minimum Tractor Horsepower	80hp	80hp	80hp	80hp
Specification				
Machine Weight †	1120kg	1152kg	1238kg	1275kg
Left and Right-Hand Build Options	<input type="checkbox"/>	<input type="checkbox"/>	<input type="checkbox"/>	<input type="checkbox"/>

* Including SoftStart ** Excluding axle brackets & latches † Depending on specification, excluding attachment & oil



REACH DIMENSIONS

	PA5567	PA6067	PA6567T	PA7067T
A	5.5m / 18' 1"	6.0m / 19' 8"	6.5m / 21' 4"	7.0m / 23' 0"
B	4.9m / 16' 1"	5.4m / 17' 9"	5.9m / 19' 4"	6.4m / 21' 0"
C	5.3m / 17' 5"	5.7m / 18' 8"	5.7m / 18' 8"	6.1m / 19' 9"
D	6.7m / 22' 0"	7.1m / 23' 4"	7.1m / 23' 4"	7.1m / 23' 4"
E	2.4m / 7' 10"	2.8m / 9' 2"	3.2m / 10' 8"	3.5m / 11' 6"

POWER ARM FLAILHEADS

	PA5567	PA6067	PA6567T	PA7067T
1.00m Supercut Flailhead - DD	—	—	—	—
1.20m Supercut Flailhead - DD	—	—	—	—
1.20m Multicut Flailhead - DD	<input type="checkbox"/>	<input type="checkbox"/>	<input type="checkbox"/>	<input type="checkbox"/>
1.20m Multicut Flailhead - BD	<input type="checkbox"/>	<input type="checkbox"/>	<input type="checkbox"/>	<input type="checkbox"/>
1.20m Tuffcut Flailhead - DD	—	—	—	—
1.20m Twincut Flailhead - DD	<input type="checkbox"/>	<input type="checkbox"/>	—	—
1.20m Omega Flailhead - DD	<input type="checkbox"/>	<input type="checkbox"/>	<input type="checkbox"/>	<input type="checkbox"/>
1.20m Omega Flailhead - BD	<input type="checkbox"/>	<input type="checkbox"/>	<input type="checkbox"/>	<input type="checkbox"/>
1.50m Multicut Flailhead - DD	<input type="checkbox"/>	<input type="checkbox"/>	<input type="checkbox"/>	<input type="checkbox"/>
1.50m Multicut Flailhead - BD	<input type="checkbox"/>	<input type="checkbox"/>	<input type="checkbox"/>	<input type="checkbox"/>
1.50m Twincut Flailhead - DD	—	—	—	—
1.50m Omega Flailhead - DD	<input type="checkbox"/>	<input type="checkbox"/>	<input type="checkbox"/>	<input type="checkbox"/>
1.50m Omega Flailhead - BD	<input type="checkbox"/>	<input type="checkbox"/>	<input type="checkbox"/>	<input type="checkbox"/>
1.60m Multicut Flailhead - DD	<input type="checkbox"/>	<input type="checkbox"/>	—	—
1.60m Multicut Flailhead - BD	<input type="checkbox"/>	<input type="checkbox"/>	—	—
1.60m Tuffcut Flailhead - DD	—	—	—	—
1.60m Omega Flailhead - DD	<input type="checkbox"/>	<input type="checkbox"/>	—	—
1.60m Omega Flailhead - BD	<input type="checkbox"/>	<input type="checkbox"/>	—	—
2.00m Multicut Flailhead - DD	—	—	—	—
2.00m Multicut Flailhead - BD	—	—	—	—
Flailhead options				
Flailhead Skid Kit	<input type="checkbox"/>	<input type="checkbox"/>	<input type="checkbox"/>	<input type="checkbox"/>
Cushioned Grass Mowing Roller	<input type="checkbox"/>	<input type="checkbox"/>	<input type="checkbox"/>	<input type="checkbox"/>
Hydraulic Roller	<input type="checkbox"/>	<input type="checkbox"/>	<input type="checkbox"/>	<input type="checkbox"/>
Hydraulic Front Hood	—	—	—	—

■ Standard Equipment □ Optional Equipment — Not available

67 SERIES

Created for contractors and local government, the 67-series has the reach and power to tackle extensive verge-mowing and hedge-cutting duties. It also comes with a choice of advanced new control systems; Variable Forward Reach; and Twincut, the world's first dual rotor flailhead.

Built to last from super-strength Domex steel, 67-series machines are extremely robust and feature such enhancements as SoftStart rotor engagement, hydraulic safety breakaway, and a cushioned top link for increased longevity.

- 4 Reach options from 5.5m to 7.0m
- 3 Advanced control options
- 3 Mounting options
- 2 Armset options
- 4 Floatation services
- 27 Attachment options

