



POWER ARM

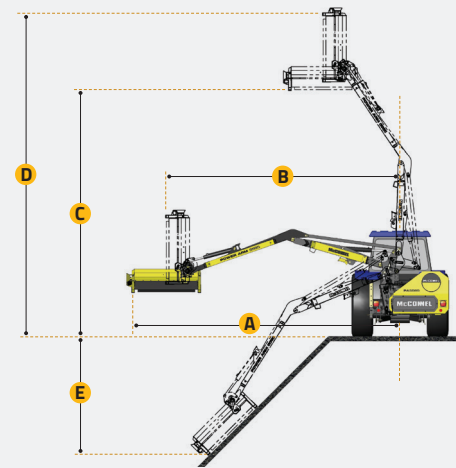
77 SERIES

- PA5577-70 - 5.5m (18'1") reach
- PA6077-70 - 6.0m (19'8") reach
- PA6577VFR-70 - 6.5m (21'4") reach
- PA6577T-70 - 6.5m (21'4") reach
- PA7077T-70 - 7.0m (23'0") reach

77 SERIES

Advanced Controls	PA5577-70	PA6077-70	PA6577VFR-70	PA6577T-70	PA7077T-70
Cable Control	—	—	—	—	—
Motion Mini	—	—	—	—	—
Motion	<input type="checkbox"/>	<input type="checkbox"/>	<input type="checkbox"/>	<input type="checkbox"/>	<input type="checkbox"/>
Evolution	<input type="checkbox"/>	<input type="checkbox"/>	<input type="checkbox"/>	<input type="checkbox"/>	<input type="checkbox"/>
Revolution Including Easy Drive System (EDS)	<input type="checkbox"/>	<input type="checkbox"/>	<input type="checkbox"/>	<input type="checkbox"/>	<input type="checkbox"/>
Two-way Rotor Engagement - Cable Control (CRC)	—	—	—	—	—
Two-way Rotor Engagement - Electric Control (ERC)*	■	■	■	■	■
Mounting					
Front 3-Point Mounting Including Stabiliser	—	—	—	—	—
Front DIN Plate Mounting	—	—	—	—	—
Rear 3-Point Mounting Including Stabiliser	■	■	■	■	■
Rear 3-Point to 4-Point Hitch Stabiliser Kit	<input type="checkbox"/>	<input type="checkbox"/>	<input type="checkbox"/>	<input type="checkbox"/>	<input type="checkbox"/>
Rear 3-Point to 5-Point Axle Mounting Kit**	<input type="checkbox"/>	<input type="checkbox"/>	<input type="checkbox"/>	<input type="checkbox"/>	<input type="checkbox"/>
Rear 5-Point Rigid Frame, Axle Mounting Kit**	—	—	—	—	—
Armsets					
Straight Armset	■	■	—	—	—
Midcut Armset	—	—	—	—	—
Telescopic Armset	—	—	—	■	■
Variable Forward Reach Armset (VFR)	<input type="checkbox"/>	<input type="checkbox"/>	■	—	—
Telescopic-Variable Forward Reach Armset (T-VFR)	—	—	—	—	—
Parallel Armset Geometry	■	■	■	■	■
Hydraulics					
Horsepower	70hp or 85hp	70hp or 85hp	70hp or 85hp	70hp or 85hp	70hp or 85hp
System Type	Gear	Gear	Gear	Gear	Gear
Pump Type	Cast	Cast	Cast	Cast	Cast
Total Flow Rate l/min	160.0	160.0	160.0	160.0	160.0
Arm Circuit Flow Rate l/min	32.0	32.0	32.0	32.0	32.0
Attachment Circuit Flow Rate l/min	128.0	128.0	128.0	128.0	128.0
Oil Tank Capacity	180ltrs	180ltrs	180ltrs	180ltrs	180ltrs
High Capacity Oil Cooler	■	■	■	■	■
Totally Independent Hydraulic System	■	■	■	■	■
Hydraulic Upgrades					
Angle Float Kit	<input type="checkbox"/>	<input type="checkbox"/>	<input type="checkbox"/>	<input type="checkbox"/>	<input type="checkbox"/>
Lift Float Kit	<input type="checkbox"/>	<input type="checkbox"/>	<input type="checkbox"/>	<input type="checkbox"/>	<input type="checkbox"/>
Advanced Float Kit (only on EVOLUTION controls)	<input type="checkbox"/>	<input type="checkbox"/>	<input type="checkbox"/>	<input type="checkbox"/>	<input type="checkbox"/>
EDS (only on REVOLUTION controls)	<input type="checkbox"/>	<input type="checkbox"/>	<input type="checkbox"/>	<input type="checkbox"/>	<input type="checkbox"/>
PowerBoost (75 l/min Arm Circuit Flow Rate)	—	—	—	—	—
Additional Hydraulic Services	<input type="checkbox"/>	<input type="checkbox"/>	<input type="checkbox"/>	<input type="checkbox"/>	<input type="checkbox"/>
Safety Equipment					
External Debris Blower	—	—	—	—	—
Integrated Debris Blower	<input type="checkbox"/>	<input type="checkbox"/>	<input type="checkbox"/>	<input type="checkbox"/>	<input type="checkbox"/>
Road Lighting Kit	■	■	■	■	■
Warning Arrow Kit	<input type="checkbox"/>	<input type="checkbox"/>	<input type="checkbox"/>	<input type="checkbox"/>	<input type="checkbox"/>
Window Guards	■	■	■	■	■
Cab Protection Kit	<input type="checkbox"/>	<input type="checkbox"/>	<input type="checkbox"/>	<input type="checkbox"/>	<input type="checkbox"/>
Safety Breakaway	■	■	■	■	■
Power Slew	■	■	■	■	■
Cushioned Top Link	■	■	■	■	■
Tractor Requirements					
Minimum Tractor Weight	4,000kg	4,000kg	5,500kg	4,500kg	5,000kg
Minimum Tractor Horsepower	100hp	100hp	100hp	100hp	100hp
Specification					
Machine Weight †	1233kg	1252kg	1463kg	1354kg	1375kg
Left and Right-Hand Build Options	<input type="checkbox"/>	<input type="checkbox"/>	<input type="checkbox"/>	<input type="checkbox"/>	<input type="checkbox"/>

* Including SoftStart ** Excluding axle brackets & latches † Depending on specification, excluding attachment & oil



REACH DIMENSIONS

	PA5577-70	PA6077-70	PA6577VFR-70	PA6577T-70	PA7077T-70
A	5.5m / 18' 1"	6.0m / 19' 8"	6.5m / 21' 4"	6.5m / 21' 4"	7.0m / 23' 0"
B	4.9m / 16' 1"	5.4m / 17' 9"	5.9m / 19' 4"	5.9m / 19' 4"	6.4m / 21' 0"
C	5.1m / 16' 9"	5.6m / 18' 4"	6.2m / 20' 4"	6.0m / 19' 8"	6.5m / 21.4"
D	6.7m / 22' 0"	7.1m / 23' 4"	7.6m / 24' 11"	7.5m / 24' 7"	8.0m / 26' 3"
E	2.5m / 8' 2"	2.8m / 9' 2"	3.2m / 10' 6"	3.2m / 10' 6"	3.5m / 11' 6"

POWER ARM FLAILHEADS

	PA5577-70	PA6077-70	PA6577VFR-70	PA6577T-70	PA7077T-70
1.00m Supercut Flailhead - DD	—	—	—	—	—
1.20m Supercut Flailhead - DD	—	—	—	—	—
1.20m Multicut Flailhead - DD	<input type="checkbox"/>	<input type="checkbox"/>	<input type="checkbox"/>	<input type="checkbox"/>	<input type="checkbox"/>
1.20m Multicut Flailhead - BD	<input type="checkbox"/>	<input type="checkbox"/>	<input type="checkbox"/>	<input type="checkbox"/>	<input type="checkbox"/>
1.20m Tuffcut Flailhead - DD	<input type="checkbox"/>	<input type="checkbox"/>	<input type="checkbox"/>	<input type="checkbox"/>	<input type="checkbox"/>
1.20m Tuffcut Flailhead - BD	<input type="checkbox"/>	<input type="checkbox"/>	<input type="checkbox"/>	<input type="checkbox"/>	<input type="checkbox"/>
1.20m Twincut Flailhead - DD	<input type="checkbox"/>	<input type="checkbox"/>	—	—	—
1.20m Omega Flailhead - DD	<input type="checkbox"/>	<input type="checkbox"/>	<input type="checkbox"/>	<input type="checkbox"/>	<input type="checkbox"/>
1.20m Omega Flailhead - BD	<input type="checkbox"/>	<input type="checkbox"/>	<input type="checkbox"/>	<input type="checkbox"/>	<input type="checkbox"/>
1.50m Multicut Flailhead - DD	<input type="checkbox"/>	<input type="checkbox"/>	<input type="checkbox"/>	<input type="checkbox"/>	<input type="checkbox"/>
1.50m Multicut Flailhead - BD	<input type="checkbox"/>	<input type="checkbox"/>	<input type="checkbox"/>	<input type="checkbox"/>	<input type="checkbox"/>
1.50m Twincut Flailhead - DD	<input type="checkbox"/>	<input type="checkbox"/>	—	—	—
1.50m Omega Flailhead - DD	<input type="checkbox"/>	<input type="checkbox"/>	<input type="checkbox"/>	<input type="checkbox"/>	<input type="checkbox"/>
1.50m Tuffcut Flailhead - DD	<input type="checkbox"/>	<input type="checkbox"/>	<input type="checkbox"/>	<input type="checkbox"/>	<input type="checkbox"/>
1.50m Tuffcut Flailhead - BD	<input type="checkbox"/>	<input type="checkbox"/>	<input type="checkbox"/>	<input type="checkbox"/>	<input type="checkbox"/>
1.50m Omega Flailhead - BD	<input type="checkbox"/>	<input type="checkbox"/>	<input type="checkbox"/>	<input type="checkbox"/>	<input type="checkbox"/>
1.60m Multicut Flailhead - DD	<input type="checkbox"/>	<input type="checkbox"/>	—	—	—
1.60m Multicut Flailhead - BD	<input type="checkbox"/>	<input type="checkbox"/>	—	—	—
1.60m Tuffcut Flailhead - DD	<input type="checkbox"/>	<input type="checkbox"/>	<input type="checkbox"/>	<input type="checkbox"/>	<input type="checkbox"/>
1.60m Tuffcut Flailhead - BD	<input type="checkbox"/>	<input type="checkbox"/>	<input type="checkbox"/>	<input type="checkbox"/>	<input type="checkbox"/>
1.60m Omega Flailhead - DD	<input type="checkbox"/>	<input type="checkbox"/>	—	—	—
1.60m Omega Flailhead - BD	<input type="checkbox"/>	<input type="checkbox"/>	—	—	—
2.00m Multicut Flailhead - DD	—	—	—	—	—
2.00m Multicut Flailhead - BD	—	—	—	—	—
Flailhead					
Flailhead Skid Kit	<input type="checkbox"/>	<input type="checkbox"/>	<input type="checkbox"/>	<input type="checkbox"/>	<input type="checkbox"/>
Cushioned Grass Mowing Roller	<input type="checkbox"/>	<input type="checkbox"/>	<input type="checkbox"/>	<input type="checkbox"/>	<input type="checkbox"/>
Hydraulic Roller	<input type="checkbox"/>	<input type="checkbox"/>	<input type="checkbox"/>	<input type="checkbox"/>	<input type="checkbox"/>
Hydraulic Front Hood ###	<input type="checkbox"/>	<input type="checkbox"/>	<input type="checkbox"/>	<input type="checkbox"/>	<input type="checkbox"/>

■ Standard Equipment □ Optional Equipment — Not available ### Excluding Twincut

77 SERIES

McConnell's 77-Series Power Arms are engineered for demanding applications by farmers, contractors, and local authorities. This heavy-duty series boasts a 70hp hydraulic system with reach options from 5.5m to 7.0m, including Telescopic and VFR options.

Enhanced features include larger pivot pins for increased durability, an optional 85hp hydraulic system, an integrated debris blower, LED road lighting, and improved service access. The 77-Series offers strong performance and versatility for the toughest vegetation management tasks.

- 4 Reach options from 5.5m to 7.0m
- 3 Advanced control options
- 3 Mounting options
- 5 Armset options
- 4 Flotation services
- 27 Attachment options



Larger Diameter Pivot Pins