

# McCormick 85 SERIES

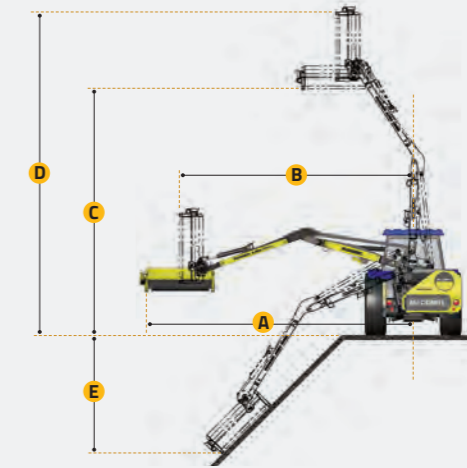


## POWER ARM 85 SERIES

PA6085 - 6.0m (19' 8") reach  
PA6585 - 6.5m (21' 4") reach

85 SERIES		
Advanced Controls	PA6085	PA6585
Cable Control	—	—
Motion Mini	—	—
Motion	<input type="checkbox"/>	<input type="checkbox"/>
Evolution	<input type="checkbox"/>	<input type="checkbox"/>
Revolution Including Easy Drive System (EDS)	<input type="checkbox"/>	<input type="checkbox"/>
Two-way Rotor Engagement - Cable Control (CRC)	—	—
Two-way Rotor Engagement - Electric Control (ERC)*	■	■
<b>Mounting</b>		
Front 3-Point Mounting Including Stabiliser	—	—
Front DIN Plate Mounting	—	—
Rear 3-Point Mounting Including Stabiliser	<input type="checkbox"/>	<input type="checkbox"/>
Rear 3-Point to 4-Point Hitch Stabiliser Kit	—	—
Rear 3-Point to 5-Point Axle Mounting Kit**	<input type="checkbox"/>	<input type="checkbox"/>
Rear 5-Point Rigid Frame, Axle Mounting Kit**	<input type="checkbox"/>	<input type="checkbox"/>
<b>Armsets</b>		
Straight Armset	<input type="checkbox"/>	<input type="checkbox"/>
Midcut Armset	—	—
Telescopic Armset	—	—
Variable Forward Reach Armset (VFR)	<input type="checkbox"/>	<input type="checkbox"/>
Telescopic-Variable Forward Reach Armset (T-VFR)	—	—
Parallel Arm Geometry	■	■
<b>Hydraulics</b>		
Horsepower	85hp	85hp
System Type	Gear	Gear
Pump Type	Cast	Cast
Total Flow Rate l/min	160.0	160.0
Arm Circuit Flow Rate l/min	32.0	32.0
Attachment Circuit Flow Rate l/min	128.0	128.0
Oil Tank Capacity	225ltrs	225ltrs
Oil Cooler	■	■
Totally Independent Hydraulic System	■	■
<b>Hydraulic Upgrades</b>		
Angle Float Kit	■	■
Lift Float Kit	<input type="checkbox"/>	<input type="checkbox"/>
Advanced Float Kit (only on EVOLUTION controls)	<input type="checkbox"/>	<input type="checkbox"/>
EDS (only on REVOLUTION controls)	<input type="checkbox"/>	<input type="checkbox"/>
PowerBoost (75 l/min Arm Circuit Flow Rate)	<input type="checkbox"/>	<input type="checkbox"/>
Additional Hydraulic Services	<input type="checkbox"/>	<input type="checkbox"/>
<b>Safety Equipment</b>		
External Debris Blower	—	—
Integrated Debris Blower	<input type="checkbox"/>	<input type="checkbox"/>
Road Lighting Kit	■	■
Warning Arrow Kit	<input type="checkbox"/>	<input type="checkbox"/>
Window Guards	■	■
Cab Protection Kit	■	■
Safety Breakaway	■	■
Power Slew	■	■
Cushioned Top Link	■	■
<b>Tractor Requirements</b>		
Minimum Tractor Weight	5,000kg	5,000kg
Minimum Tractor Horsepower	120hp	120hp
<b>Specification</b>		
Machine Weight #	1340kg	1500kg
Left and Right-Hand Build Options	<input type="checkbox"/>	<input type="checkbox"/>

\* Including SoftStart \*\* Excluding axle brackets & latches # Depending on specification, excluding attachment & oil



### REACH DIMENSIONS

	PA6085	PA6585
A	6.0m / 19' 8"	6.5m / 21' 4"
B	5.4m / 17' 9"	5.9m / 19' 4"
C	5.6m / 18' 4"	5.7m / 18' 8"
D	7.0m / 22' 11"	7.1m / 23' 4"
E	2.8m / 9' 2"	3.0m / 9' 10"

### POWER ARM FLAILHEADS

	PA6085	PA6585
1.00m Supercut Flailhead - DD	—	—
1.20m Supercut Flailhead - DD	—	—
1.20m Multicut Flailhead - DD	<input type="checkbox"/>	<input type="checkbox"/>
1.20m Multicut Flailhead - BD	<input type="checkbox"/>	<input type="checkbox"/>
1.20m Tuffcut Flailhead - DD	<input type="checkbox"/>	<input type="checkbox"/>
1.20m Twincut Flailhead - DD	<input type="checkbox"/>	<input type="checkbox"/>
1.20m Omega Flailhead - DD	<input type="checkbox"/>	<input type="checkbox"/>
1.20m Omega Flailhead - BD	<input type="checkbox"/>	<input type="checkbox"/>
1.50m Multicut Flailhead - DD	<input type="checkbox"/>	<input type="checkbox"/>
1.50m Multicut Flailhead - BD	<input type="checkbox"/>	<input type="checkbox"/>
1.50m Twincut Flailhead - DD	<input type="checkbox"/>	<input type="checkbox"/>
1.50m Omega Flailhead - DD	<input type="checkbox"/>	<input type="checkbox"/>
1.50m Omega Flailhead - BD	<input type="checkbox"/>	<input type="checkbox"/>
1.60m Multicut Flailhead - DD	<input type="checkbox"/>	<input type="checkbox"/>
1.60m Multicut Flailhead - BD	<input type="checkbox"/>	<input type="checkbox"/>
1.60m Tuffcut Flailhead - DD	<input type="checkbox"/>	<input type="checkbox"/>
1.60m Omega Flailhead - DD	<input type="checkbox"/>	<input type="checkbox"/>
1.60m Omega Flailhead - BD	<input type="checkbox"/>	<input type="checkbox"/>
2.00m Multicut Flailhead - DD	<input type="checkbox"/>	<input type="checkbox"/>
2.00m Multicut Flailhead - BD	<input type="checkbox"/>	<input type="checkbox"/>
<b>Flailhead options</b>		
Flailhead Skid Kit	<input type="checkbox"/>	<input type="checkbox"/>
Cushioned Grass Mowing Roller	<input type="checkbox"/>	<input type="checkbox"/>
Hydraulic Roller	<input type="checkbox"/>	<input type="checkbox"/>
Hydraulic Front Hood	<input type="checkbox"/>	<input type="checkbox"/>

■ Standard Equipment □ Optional Equipment — Not available

# McCormick 85 SERIES

Specifically designed for professional users, the 85-series delivers an exceptional performance and has been built to thrive on heavy workloads - making it ideal for large-scale farmers, professional contractors and highway verge-mowing teams.

85-series Power Arms are compatible with a comprehensive range of attachments, including Cutterbars, Rotary Heads, Multisaws, and Ditch and Grip Cleaners, - enhancing their functionality and enabling contractors to offer a broader range of green maintenance services.

- 6 Reach options from 6.0m to 9.0m
- 3 Advanced control options
- 3 Mounting options
- 4 Armset options
- 4 Floatation options
- 32 Attachment options



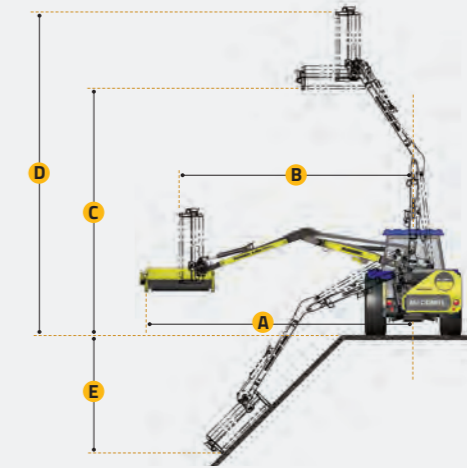


POWER ARM  
**85 SERIES**

PA6585T - 6.5m (21' 4") reach  
PA7085T - 7.0m (23' 0") reach  
PA8085T - 8.0m (26' 3") reach

85 SERIES			
Advanced Controls	PA6585T	PA7085T	PA8085T
Cable Control	—	—	—
Motion Mini	—	—	—
Motion	<input type="checkbox"/>	<input type="checkbox"/>	<input type="checkbox"/>
Evolution	<input type="checkbox"/>	<input type="checkbox"/>	<input type="checkbox"/>
Revolution Including Easy Drive System (EDS)	<input type="checkbox"/>	<input type="checkbox"/>	<input type="checkbox"/>
Two-way Rotor Engagement - Cable Control (CRC)	—	—	—
Two-way Rotor Engagement - Electric Control (ERC)*	■	■	■
<b>Mounting</b>			
Front 3-Point Mounting Including Stabiliser	—	—	—
Front DIN Plate Mounting	—	—	—
Rear 3-Point Mounting Including Stabiliser	—	—	—
Rear 3-Point to 4-Point Hitch Stabiliser Kit	—	—	—
Rear 3-Point to 5-Point Axle Mounting Kit**	—	—	—
Rear 5-Point Rigid Frame, Axle Mounting Kit**	■	■	■
<b>Armsets</b>			
Straight Armset	—	—	—
Midcut Armset	—	—	—
Telescopic Armset	■	■	■
Variable Forward Reach Armset (VFR)	—	—	—
Telescopic-Variable Forward Reach Armset (T-VFR)	—	—	—
Parallel Arm Geometry	■	■	■
<b>Hydraulics</b>			
Horsepower	85hp	85hp	85hp
System Type	Gear	Gear	Gear
Pump Type	Cast	Cast	Cast
Total Flow Rate l/min	160.0	160.0	160.0
Arm Circuit Flow Rate l/min	32.0	32.0	32.0
Attachment Circuit Flow Rate l/min	128.0	128.0	128.0
Oil Tank Capacity	225ltrs	225ltrs	225ltrs
Oil Cooler	■	■	■
Totally Independent Hydraulic System	■	■	■
<b>Hydraulic Upgrades</b>			
Angle Float Kit	■	■	■
Lift Float Kit	<input type="checkbox"/>	<input type="checkbox"/>	<input type="checkbox"/>
Advanced Float Kit (only on EVOLUTION controls)	<input type="checkbox"/>	<input type="checkbox"/>	<input type="checkbox"/>
EDS (only on REVOLUTION controls)	<input type="checkbox"/>	<input type="checkbox"/>	<input type="checkbox"/>
PowerBoost (75 l/min Arm Circuit Flow Rate)	<input type="checkbox"/>	<input type="checkbox"/>	<input type="checkbox"/>
Additional Hydraulic Services	<input type="checkbox"/>	<input type="checkbox"/>	<input type="checkbox"/>
<b>Safety Equipment</b>			
External Debris Blower	—	—	—
Integrated Debris Blower	<input type="checkbox"/>	<input type="checkbox"/>	<input type="checkbox"/>
Road Lighting Kit	■	■	■
Warning Arrow Kit	<input type="checkbox"/>	<input type="checkbox"/>	<input type="checkbox"/>
Window Guards	■	■	■
Cab Protection Kit	■	■	■
Safety Breakaway	■	■	■
Power Slew	■	■	■
Cushioned Top Link	■	■	■
<b>Tractor Requirements</b>			
Minimum Tractor Weight	5,500kg	5,500kg	5,500kg
Minimum Tractor Horsepower	120hp	120hp	120hp
<b>Specification</b>			
Machine Weight #	1650kg	1700kg	1800kg
Left and Right-Hand Build Options	<input type="checkbox"/>	<input type="checkbox"/>	<input type="checkbox"/>

\* Including SoftStart \*\* Excluding axle brackets & latches # Depending on specification, excluding attachment & oil



**REACH DIMENSIONS**

	PA6585T	PA7085T	PA8085T
<b>A</b>	6.5m / 21' 4"	7.0m / 23' 0"	8.0m / 26' 3"
<b>B</b>	5.9m / 19' 4"	6.4m / 21' 0"	7.4m / 24' 3"
<b>C</b>	5.7m / 18' 8"	6.1m / 20' 0"	7.4m / 24' 3"
<b>D</b>	7.1m / 23' 4"	7.5m / 24' 7"	8.8m / 28' 10"
<b>E</b>	3.0m / 9' 10"	3.4m / 11' 2"	4.1m / 13' 5"

**POWER ARM FLAILHEADS**

	PA6585T	PA7085T	PA8085T
1.00m Supercut Flailhead - DD	—	—	—
1.20m Supercut Flailhead - DD	—	—	—
1.20m Multicut Flailhead - DD	<input type="checkbox"/>	<input type="checkbox"/>	<input type="checkbox"/>
1.20m Multicut Flailhead - BD	<input type="checkbox"/>	<input type="checkbox"/>	<input type="checkbox"/>
1.20m Tuffcut Flailhead - DD	<input type="checkbox"/>	<input type="checkbox"/>	<input type="checkbox"/>
1.20m Twincut Flailhead - DD	—	—	—
1.20m Omega Flailhead - DD	<input type="checkbox"/>	<input type="checkbox"/>	<input type="checkbox"/>
1.20m Omega Flailhead - BD	<input type="checkbox"/>	<input type="checkbox"/>	<input type="checkbox"/>
1.50m Multicut Flailhead - DD	<input type="checkbox"/>	<input type="checkbox"/>	<input type="checkbox"/>
1.50m Multicut Flailhead - BD	<input type="checkbox"/>	<input type="checkbox"/>	<input type="checkbox"/>
1.50m Twincut Flailhead - DD	—	—	—
1.50m Omega Flailhead - DD	<input type="checkbox"/>	<input type="checkbox"/>	<input type="checkbox"/>
1.50m Omega Flailhead - BD	<input type="checkbox"/>	<input type="checkbox"/>	<input type="checkbox"/>
1.60m Multicut Flailhead - DD	—	—	—
1.60m Multicut Flailhead - BD	—	—	—
1.60m Tuffcut Flailhead - DD	—	—	—
1.60m Omega Flailhead - DD	—	—	—
1.60m Omega Flailhead - BD	—	—	—
2.00m Multicut Flailhead - DD	—	—	—
2.00m Multicut Flailhead - BD	—	—	—
<b>Flailhead options</b>			
Flailhead Skid Kit	<input type="checkbox"/>	<input type="checkbox"/>	<input type="checkbox"/>
Cushioned Grass Mowing Roller	<input type="checkbox"/>	<input type="checkbox"/>	<input type="checkbox"/>
Hydraulic Roller	<input type="checkbox"/>	<input type="checkbox"/>	<input type="checkbox"/>
Hydraulic Front Hood	<input type="checkbox"/>	<input type="checkbox"/>	<input type="checkbox"/>

■ Standard Equipment □ Optional Equipment — Not available

Specifically designed for professional users, the 85-series delivers an exceptional performance and has been built to thrive on heavy workloads - making it ideal for large-scale farmers, professional contractors and highway verge-mowing teams.

85-series Power Arms are compatible with a comprehensive range of attachments, including Cutterbars, Rotary Heads, Multisaws, and Ditch and Grip Cleaners, - enhancing their functionality and enabling contractors to offer a broader range of green maintenance services.

- 6 Reach options from 6.0m to 9.0m
- 3 Advanced control options
- 3 Mounting options
- 4 Armset options
- 4 Floatation options
- 32 Attachment options



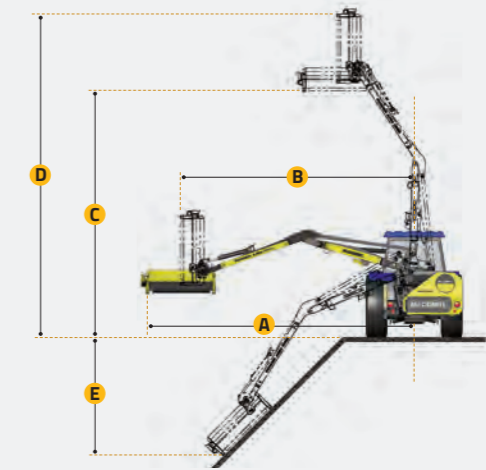


**POWER ARM  
85 SERIES**

**PA6585 TELE-VFR** - 6.5m (21' 4") reach  
**PA7285 TELE-VFR** - 7.2m (23' 7") reach  
**PA8085 TELE-VFR** - 8.0m (26' 3") reach

<b>85 SERIES</b>			
<b>Advanced Controls</b>	<b>PA6585 T-VFR</b>	<b>PA7285 T-VFR</b>	<b>PA8085 T-VFR</b>
Cable Control	—	—	—
Motion Mini	—	—	—
Motion	<input type="checkbox"/>	<input type="checkbox"/>	<input type="checkbox"/>
Evolution	<input type="checkbox"/>	<input type="checkbox"/>	<input type="checkbox"/>
Revolution Including Easy Drive System (EDS)	<input type="checkbox"/>	<input type="checkbox"/>	<input type="checkbox"/>
Two-way Rotor Engagement - Cable Control (CRC)	—	—	—
Two-way Rotor Engagement - Electric Control (ERC)*	■	■	■
<b>Mounting</b>			
Front 3-Point Mounting Including Stabiliser	—	—	—
Front DIN Plate Mounting	—	—	—
Rear 3-Point Mounting Including Stabiliser	—	—	—
Rear 3-Point to 4-Point Hitch Stabiliser Kit	—	—	—
Rear 3-Point to 5-Point Axle Mounting Kit**	—	—	—
Rear 5-Point Rigid Frame, Axle Mounting Kit**	■	■	■
<b>Armsets</b>			
Straight Armset	—	—	—
Midcut Armset	—	—	—
Telescopic Armset	—	—	—
Variable Forward Reach Armset (VFR)	—	—	—
Telescopic-Variable Forward Reach Armset (T-VFR)	■	■	■
Parallel Arm Geometry	■	■	■
<b>Hydraulics</b>			
Horsepower	85hp	85hp	85hp
System Type	Gear	Gear	Gear
Pump Type	Cast	Cast	Cast
Total Flow Rate l/min	160.0	160.0	160.0
Arm Circuit Flow Rate l/min	32.0	32.0	32.0
Attachment Circuit Flow Rate l/min	128.0	128.0	128.0
Oil Tank Capacity	225ltrs	225ltrs	225ltrs
Oil Cooler	■	■	■
Totally Independent Hydraulic System	■	■	■
<b>Hydraulic Upgrades</b>			
Angle Float Kit	■	■	■
Lift Float Kit	<input type="checkbox"/>	<input type="checkbox"/>	<input type="checkbox"/>
Advanced Float Kit (only on EVOLUTION controls)	<input type="checkbox"/>	<input type="checkbox"/>	<input type="checkbox"/>
EDS (only on REVOLUTION controls)	<input type="checkbox"/>	<input type="checkbox"/>	<input type="checkbox"/>
PowerBoost (75 l/min Arm Circuit Flow Rate)	<input type="checkbox"/>	<input type="checkbox"/>	<input type="checkbox"/>
Additional Hydraulic Services	<input type="checkbox"/>	<input type="checkbox"/>	<input type="checkbox"/>
<b>Safety Equipment</b>			
External Debris Blower	—	—	—
Integrated Debris Blower	<input type="checkbox"/>	<input type="checkbox"/>	<input type="checkbox"/>
Road Lighting Kit	■	■	■
Warning Arrow Kit	<input type="checkbox"/>	<input type="checkbox"/>	<input type="checkbox"/>
Window Guards	■	■	■
Cab Protection Kit	■	■	■
Safety Breakaway	■	■	■
Power Slew	■	■	■
Cushioned Top Link	■	■	■
<b>Tractor Requirements</b>			
Minimum Tractor Weight	5,500kg	6,000kg	6,000kg
Minimum Tractor Horsepower	120hp	140hp	140hp
<b>Specification</b>			
Machine Weight #	1950kg (TBC)	2004kg	2072kg
Left and Right-Hand Build Options	<input type="checkbox"/>	<input type="checkbox"/>	<input type="checkbox"/>

\* Including SoftStart \*\* Excluding axle brackets & latches # Depending on specification, excluding attachment & oil



**REACH DIMENSIONS**

	<b>PA6585 T-VFR</b>	<b>PA7285 T-VFR</b>	<b>PA8085 T-VFR</b>
<b>A</b>	6.5m / 21' 4"	7.2m / 23' 7"	8.0m / 26' 3"
<b>B</b>	6.0m / 19' 8"	6.6m / 21' 8"	7.4m / 24' 2"
<b>C</b>	5.7m / 18' 8"	6.3m / 20' 8"	7.3m / 24' 0"
<b>D</b>	7.1m / 23' 3"	7.7m / 25' 3"	8.8m / 27' 2"
<b>E</b>	3.1m / 10' 2"	3.5m / 11' 6"	4.1m / 13' 5"

**POWER ARM FLAILHEADS**

	<b>PA6585 T-VFR</b>	<b>PA7285 T-VFR</b>	<b>PA8085 T-VFR</b>
1.00m Supercut Flailhead - DD	—	—	—
1.20m Supercut Flailhead - DD	—	—	—
1.20m Multicut Flailhead - DD	<input type="checkbox"/>	<input type="checkbox"/>	<input type="checkbox"/>
1.20m Multicut Flailhead - BD	<input type="checkbox"/>	<input type="checkbox"/>	<input type="checkbox"/>
1.20m Tuffcut Flailhead - DD	<input type="checkbox"/>	<input type="checkbox"/>	<input type="checkbox"/>
1.20m Twincut Flailhead - DD	—	—	—
1.20m Omega Flailhead - DD	<input type="checkbox"/>	<input type="checkbox"/>	<input type="checkbox"/>
1.20m Omega Flailhead - BD	<input type="checkbox"/>	<input type="checkbox"/>	<input type="checkbox"/>
1.50m Multicut Flailhead - DD	<input type="checkbox"/>	<input type="checkbox"/>	<input type="checkbox"/>
1.50m Multicut Flailhead - BD	<input type="checkbox"/>	<input type="checkbox"/>	<input type="checkbox"/>
1.50m Twincut Flailhead - DD	—	—	—
1.50m Omega Flailhead - DD	<input type="checkbox"/>	<input type="checkbox"/>	<input type="checkbox"/>
1.50m Omega Flailhead - BD	<input type="checkbox"/>	<input type="checkbox"/>	<input type="checkbox"/>
1.60m Multicut Flailhead - DD	—	—	—
1.60m Multicut Flailhead - BD	—	—	—
1.60m Tuffcut Flailhead - DD	—	—	—
1.60m Omega Flailhead - DD	—	—	—
1.60m Omega Flailhead - BD	—	—	—
2.00m Multicut Flailhead - DD	—	—	—
2.00m Multicut Flailhead - BD	—	—	—
<b>Flailhead options</b>			
Flailhead Skid Kit	<input type="checkbox"/>	<input type="checkbox"/>	<input type="checkbox"/>
Cushioned Grass Mowing Roller	<input type="checkbox"/>	<input type="checkbox"/>	<input type="checkbox"/>
Hydraulic Roller	<input type="checkbox"/>	<input type="checkbox"/>	<input type="checkbox"/>
Hydraulic Front Hood	<input type="checkbox"/>	<input type="checkbox"/>	<input type="checkbox"/>

■ Standard Equipment □ Optional Equipment — Not available

Specifically designed for professional users, the 85-series delivers an exceptional performance and has been built to thrive on heavy workloads - making it ideal for large-scale farmers, professional contractors and highway verge-mowing teams.

85-series Power Arms are compatible with a comprehensive range of attachments, including Cutterbars, Rotary Heads, Multisaws, and Ditch and Grip Cleaners, - enhancing their functionality and enabling contractors to offer a broader range of green maintenance services.

- 6 Reach options from 6.0m to 9.0m
- 3 Advanced control options
- 3 Mounting options
- 4 Armset options
- 4 Floatation options
- 32 Attachment options



# MCCORMICK 85SERIES



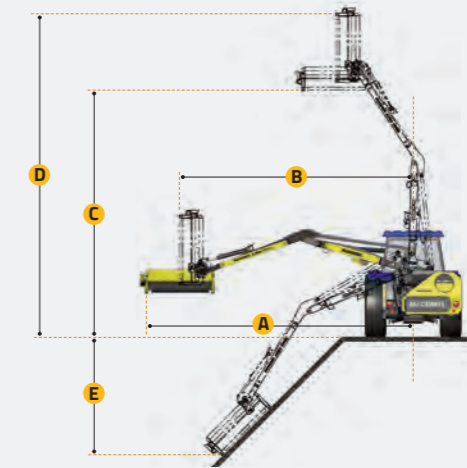
## POWER ARM 85 SERIES

PA8085TT - 8.0m (26' 3") reach  
PA9085TT - 9.0m (29' 6") reach

### 85 SERIES

Advanced Controls	PA8085TT	PA9085TT
Cable Control	—	—
Motion Mini	—	—
Motion	—	—
Evolution	—	—
Revolution Including Easy Drive System (EDS)	■	■
Two-way Rotor Engagement - Cable Control (CRC)	—	—
Two-way Rotor Engagement - Electric Control (ERC)*	■	■
<b>Mounting</b>		
Front 3-Point Mounting Including Stabiliser	—	—
Front DIN Plate Mounting	—	—
Rear 3-Point Mounting Including Stabiliser	—	—
Rear 3-Point to 4-Point Hitch Stabiliser Kit	—	—
Rear 3-Point to 5-Point Axle Mounting Kit**	—	—
Rear 5-Point Rigid Frame, Axle Mounting Kit**	■	■
<b>Armsets</b>		
Straight Armset	—	—
Midcut Armset	—	—
Telescopic Armset	■	■
Variable Forward Reach Armset (VFR)	—	—
Telescopic-Variable Forward Reach Armset (T-VFR)	—	—
Parallel Arm Geometry	—	—
<b>Hydraulics</b>		
Horsepower	85hp	85hp
System Type	Piston	Gear
Pump Type	Steel	Cast
Total Flow Rate l/min	156.0	203.0
Arm Circuit Flow Rate l/min	32.0	75.0
Attachment Circuit Flow Rate l/min	124.0	128.0
Oil Tank Capacity	225ltrs	225ltrs
Oil Cooler	■	■
Totally Independent Hydraulic System	■	■
<b>Hydraulic Upgrades</b>		
Angle Float Kit	■	■
Lift Float Kit	—	—
Advanced Float Kit (only on EVOLUTION controls)	—	—
EDS (only on REVOLUTION controls)	■	■
PowerBoost (75 l/min Arm Circuit Flow Rate)	□	■
Additional Hydraulic Services	□	□
<b>Safety Equipment</b>		
External Debris Blower	□	□
Integrated Debris Blower	—	—
Road Lighting Kit	■	■
Warning Arrow Kit	□	□
Window Guards	■	■
Cab Protection Kit	■	■
Safety Breakaway	■	■
Power Slew	■	■
Cushioned Top Link	■	■
<b>Tractor Requirements</b>		
Minimum Tractor Weight	6,000kg	7,000kg
Minimum Tractor Horsepower	140hp	150hp
<b>Specification</b>		
Machine Weight #	2072kg	2293kg
Left and Right-Hand Build Options	□	□

\* Including SoftStart \*\* Excluding axle brackets & latches # Depending on specification, excluding attachment & oil



### REACH DIMENSIONS

	PA8085TT	PA9085TT
A	8.0m / 26' 3"	9.0m / 29' 6"
B	7.4m / 24' 3"	8.9m / 29' 2"
C	7.0m / 23' 0"	7.6m / 24' 11"
D	8.0m / 26' 3"	8.6m / 28' 3"
E	4.1m / 13' 5"	4.8m / 15' 9"

### POWER ARM FLAILHEADS

	PA8085TT	PA9085TT
1.00m Supercut Flailhead - DD	—	—
1.20m Supercut Flailhead - DD	—	—
1.20m Multicut Flailhead - DD	□	□
1.20m Multicut Flailhead - BD	□	□
1.20m Tuffcut Flailhead - DD	□	□
1.20m Twincut Flailhead - DD	—	—
1.20m Omega Flailhead - DD	□	□
1.20m Omega Flailhead - BD	□	□
1.50m Multicut Flailhead - DD	—	□
1.50m Multicut Flailhead - BD	□	□
1.50m Twincut Flailhead - DD	—	—
1.50m Omega Flailhead - DD	—	□
1.50m Omega Flailhead - BD	□	□
1.60m Multicut Flailhead - DD	□	—
1.60m Multicut Flailhead - BD	□	—
1.60m Tuffcut Flailhead - DD	□	—
1.60m Omega Flailhead - DD	□	—
1.60m Omega Flailhead - BD	□	—
2.00m Multicut Flailhead - DD	—	—
2.00m Multicut Flailhead - BD	—	—
<b>Flailhead options</b>		
Flailhead Skid Kit	□	□
Cushioned Grass Mowing Roller	□	□
Hydraulic Roller	□	□
Hydraulic Front Hood	□	□

■ Standard Equipment □ Optional Equipment — Not available

# MCCORMICK 85SERIES

Specifically designed for professional users, the 85-series delivers an exceptional performance and has been built to thrive on heavy workloads - making it ideal for large-scale farmers, professional contractors and highway verge-mowing teams.

85-series Power Arms are compatible with a comprehensive range of attachments, including Cutterbars, Rotary Heads, Multisaws, and Ditch and Grip Cleaners, - enhancing their functionality and enabling contractors to offer a broader range of green maintenance services.

- 6 Reach options from 6.0m to 9.0m
- 3 Advanced control options
- 3 Mounting options
- 4 Armset options
- 4 Floatation options
- 32 Attachment options

