



POWER ARM

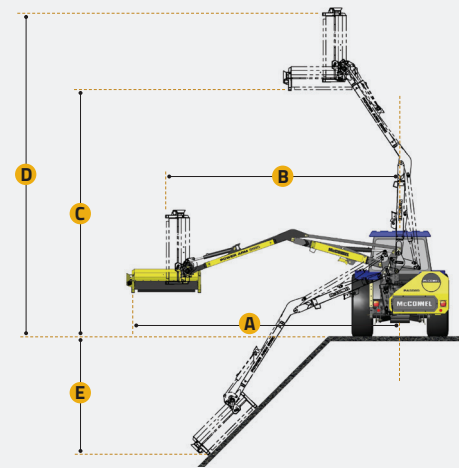
72 SERIES

- | | |
|---------------------|----------------------|
| PA5572-70 | - 5.5m (18'1") reach |
| PA6072-70 | - 6.0m (19'8") reach |
| PA6572VFR-70 | - 6.5m (21'4") reach |
| PA6572T-70 | - 6.5m (21'4") reach |
| PA7072T-70 | - 7.0m (23'0") reach |

72 SERIES

Advanced Controls	PA5572-70	PA6072-70	PA6572VFR-70	PA6572T-70	PA7072T-70
Cable Control	—	—	—	—	—
Motion Mini	—	—	—	—	—
Motion	<input type="checkbox"/>	<input type="checkbox"/>	<input type="checkbox"/>	<input type="checkbox"/>	<input type="checkbox"/>
Evolution	<input type="checkbox"/>	<input type="checkbox"/>	<input type="checkbox"/>	<input type="checkbox"/>	<input type="checkbox"/>
Revolution Including Easy Drive System (EDS)	<input type="checkbox"/>	<input type="checkbox"/>	<input type="checkbox"/>	<input type="checkbox"/>	<input type="checkbox"/>
Two-way Rotor Engagement - Cable Control (CRC)	—	—	—	—	—
Two-way Rotor Engagement - Electric Control (ERC)*	■	■	■	■	■
Mounting					
Front 3-Point Mounting Including Stabiliser	—	—	—	—	—
Front DIN Plate Mounting	—	—	—	—	—
Rear 3-Point Mounting Including Stabiliser	■	■	■	■	■
Rear 3-Point to 4-Point Hitch Stabiliser Kit	<input type="checkbox"/>	<input type="checkbox"/>	<input type="checkbox"/>	<input type="checkbox"/>	<input type="checkbox"/>
Rear 3-Point to 5-Point Axle Mounting Kit**	<input type="checkbox"/>	<input type="checkbox"/>	<input type="checkbox"/>	<input type="checkbox"/>	<input type="checkbox"/>
Rear 5-Point Rigid Frame, Axle Mounting Kit**	—	—	—	—	—
Armsets					
Straight Armset	■	■	—	—	—
Midcut Armset	—	—	—	—	—
Telescopic Armset	—	—	—	■	■
Variable Forward Reach Armset (VFR)	<input type="checkbox"/>	<input type="checkbox"/>	■	—	—
Telescopic-Variable Forward Reach Armset (T-VFR)	—	—	—	—	—
Parallel Armset Geometry	■	■	■	■	■
Hydraulics					
Horsepower	70hp	70hp	70hp	70hp	70hp
System Type	Gear	Gear	Gear	Gear	Gear
Pump Type	Cast	Cast	Cast	Cast	Cast
Total Flow Rate l/min	160.0	160.0	160.0	160.0	160.0
Arm Circuit Flow Rate l/min	32.0	32.0	32.0	32.0	32.0
Attachment Circuit Flow Rate l/min	128.0	128.0	128.0	128.0	128.0
Oil Tank Capacity	180ltrs	180ltrs	180ltrs	180ltrs	180ltrs
High Capacity Oil Cooler	■	■	■	■	■
Totally Independent Hydraulic System	■	■	■	■	■
Hydraulic Upgrades					
Angle Float Kit	<input type="checkbox"/>	<input type="checkbox"/>	<input type="checkbox"/>	<input type="checkbox"/>	<input type="checkbox"/>
Lift Float Kit	<input type="checkbox"/>	<input type="checkbox"/>	<input type="checkbox"/>	<input type="checkbox"/>	<input type="checkbox"/>
Advanced Float Kit (only on EVOLUTION controls)	<input type="checkbox"/>	<input type="checkbox"/>	<input type="checkbox"/>	<input type="checkbox"/>	<input type="checkbox"/>
EDS (only on REVOLUTION controls)	<input type="checkbox"/>	<input type="checkbox"/>	<input type="checkbox"/>	<input type="checkbox"/>	<input type="checkbox"/>
PowerBoost (75 l/min Arm Circuit Flow Rate)	—	—	—	—	—
Additional Hydraulic Services	<input type="checkbox"/>	<input type="checkbox"/>	<input type="checkbox"/>	<input type="checkbox"/>	<input type="checkbox"/>
Safety Equipment					
External Debris Blower	—	—	—	—	—
Integrated Debris Blower	<input type="checkbox"/>	<input type="checkbox"/>	<input type="checkbox"/>	<input type="checkbox"/>	<input type="checkbox"/>
Road Lighting Kit	■	■	■	■	■
Warning Arrow Kit	<input type="checkbox"/>	<input type="checkbox"/>	<input type="checkbox"/>	<input type="checkbox"/>	<input type="checkbox"/>
Window Guards	■	■	■	■	■
Cab Protection Kit	<input type="checkbox"/>	<input type="checkbox"/>	<input type="checkbox"/>	<input type="checkbox"/>	<input type="checkbox"/>
Safety Breakaway	■	■	■	■	■
Power Slew	■	■	■	■	■
Cushioned Top Link	■	■	■	■	■
Tractor Requirements					
Minimum Tractor Weight	4,000kg	4,000kg	5,500kg	4,500kg	5,000kg
Minimum Tractor Horsepower	100hp	100hp	100hp	100hp	100hp
Specification					
Machine Weight †	1198kg	1217kg	1428kg	1319kg	1340kg
Left and Right-Hand Build Options	<input type="checkbox"/>	<input type="checkbox"/>	<input type="checkbox"/>	<input type="checkbox"/>	<input type="checkbox"/>

* Including SoftStart ** Excluding axle brackets & latches † Depending on specification, excluding attachment & oil



REACH DIMENSIONS

	PA5572-70	PA6072-70	PA6572VFR-70	PA6572T-70	PA7072T-70
A	5.5m / 18' 1"	6.0m / 19' 8"	6.5m / 21' 4"	6.5m / 21' 4"	7.0m / 23' 0"
B	4.9m / 16' 1"	5.4m / 17' 9"	5.9m / 19' 4"	5.9m / 19' 4"	6.4m / 21' 0"
C	5.1m / 16' 9"	5.6m / 18' 4"	6.2m / 20' 4"	6.0m / 19' 8"	6.5m / 21' 4"
D	6.7m / 22' 0"	7.1m / 23' 4"	7.6m / 24' 11"	7.5m / 24' 7"	8.0m / 26' 3"
E	2.5m / 8' 2"	2.8m / 9' 2"	3.2m / 10' 6"	3.2m / 10' 6"	3.5m / 11' 6"

POWER ARM FLAILHEADS

	PA5572-70	PA6072-70	PA6572VFR-70	PA6572T-70	PA7072T-70
1.00m Supercut Flailhead - DD	—	—	—	—	—
1.20m Supercut Flailhead - DD	—	—	—	—	—
1.20m Multicut Flailhead - DD	<input type="checkbox"/>	<input type="checkbox"/>	<input type="checkbox"/>	<input type="checkbox"/>	<input type="checkbox"/>
1.20m Multicut Flailhead - BD	<input type="checkbox"/>	<input type="checkbox"/>	<input type="checkbox"/>	<input type="checkbox"/>	<input type="checkbox"/>
1.20m Tuffcut Flailhead - DD	<input type="checkbox"/>	<input type="checkbox"/>	<input type="checkbox"/>	<input type="checkbox"/>	<input type="checkbox"/>
1.20m Tuffcut Flailhead - BD	<input type="checkbox"/>	<input type="checkbox"/>	<input type="checkbox"/>	<input type="checkbox"/>	<input type="checkbox"/>
1.20m Twincut Flailhead - DD	<input type="checkbox"/>	<input type="checkbox"/>	—	—	—
1.20m Omega Flailhead - DD	<input type="checkbox"/>	<input type="checkbox"/>	<input type="checkbox"/>	<input type="checkbox"/>	<input type="checkbox"/>
1.20m Omega Flailhead - BD	<input type="checkbox"/>	<input type="checkbox"/>	<input type="checkbox"/>	<input type="checkbox"/>	<input type="checkbox"/>
1.50m Multicut Flailhead - DD	<input type="checkbox"/>	<input type="checkbox"/>	<input type="checkbox"/>	<input type="checkbox"/>	<input type="checkbox"/>
1.50m Multicut Flailhead - BD	<input type="checkbox"/>	<input type="checkbox"/>	<input type="checkbox"/>	<input type="checkbox"/>	<input type="checkbox"/>
1.50m Twincut Flailhead - DD	<input type="checkbox"/>	<input type="checkbox"/>	—	—	—
1.50m Omega Flailhead - DD	<input type="checkbox"/>	<input type="checkbox"/>	<input type="checkbox"/>	<input type="checkbox"/>	<input type="checkbox"/>
1.50m Tuffcut Flailhead - DD	<input type="checkbox"/>	<input type="checkbox"/>	<input type="checkbox"/>	<input type="checkbox"/>	<input type="checkbox"/>
1.50m Tuffcut Flailhead - BD	<input type="checkbox"/>	<input type="checkbox"/>	<input type="checkbox"/>	<input type="checkbox"/>	<input type="checkbox"/>
1.50m Omega Flailhead - BD	<input type="checkbox"/>	<input type="checkbox"/>	<input type="checkbox"/>	<input type="checkbox"/>	<input type="checkbox"/>
1.60m Multicut Flailhead - DD	<input type="checkbox"/>	<input type="checkbox"/>	—	—	—
1.60m Multicut Flailhead - BD	<input type="checkbox"/>	<input type="checkbox"/>	—	—	—
1.60m Tuffcut Flailhead - DD	<input type="checkbox"/>	<input type="checkbox"/>	<input type="checkbox"/>	<input type="checkbox"/>	<input type="checkbox"/>
1.60m Tuffcut Flailhead - BD	<input type="checkbox"/>	<input type="checkbox"/>	<input type="checkbox"/>	<input type="checkbox"/>	<input type="checkbox"/>
1.60m Omega Flailhead - DD	<input type="checkbox"/>	<input type="checkbox"/>	—	—	—
1.60m Omega Flailhead - BD	<input type="checkbox"/>	<input type="checkbox"/>	—	—	—
2.00m Multicut Flailhead - DD	—	—	—	—	—
2.00m Multicut Flailhead - BD	—	—	—	—	—
Flailhead					
Flailhead Skid Kit	<input type="checkbox"/>	<input type="checkbox"/>	<input type="checkbox"/>	<input type="checkbox"/>	<input type="checkbox"/>
Cushioned Grass Mowing Roller	<input type="checkbox"/>	<input type="checkbox"/>	<input type="checkbox"/>	<input type="checkbox"/>	<input type="checkbox"/>
Hydraulic Roller	<input type="checkbox"/>	<input type="checkbox"/>	<input type="checkbox"/>	<input type="checkbox"/>	<input type="checkbox"/>
Hydraulic Front Hood †††	<input type="checkbox"/>	<input type="checkbox"/>	<input type="checkbox"/>	<input type="checkbox"/>	<input type="checkbox"/>

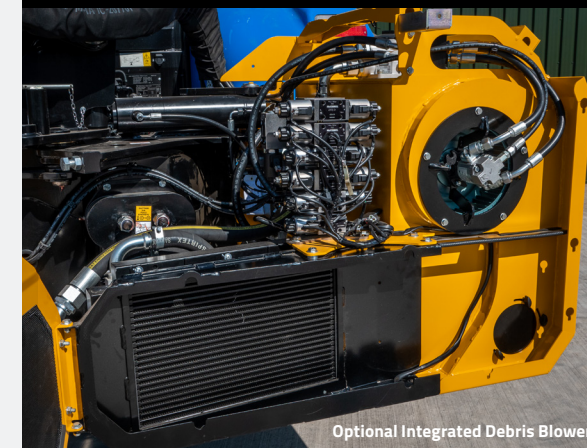
■ Standard Equipment □ Optional Equipment — Not available ††† Excluding Twincut

72 SERIES

The McConel 72-Series Power Arms are designed for farmers, contractors, and local authorities, this Series features a 70hp hydraulic system with reach options from 5.5m to 7.0m, including Telescopic and VFR options.

Innovations such as an integrated debris blower, LED road lighting, and enhanced service access ensure optimal performance and convenience. With a comprehensive range of attachment, the 72-Series offers a versatile and reliable solution for vegetation management.

- 4 Reach options from 5.5m to 7.0m
- 3 Advanced control options
- 3 Mounting options
- 5 Armset options
- 4 Floatation services
- 27 Attachment options



Optional Integrated Debris Blower